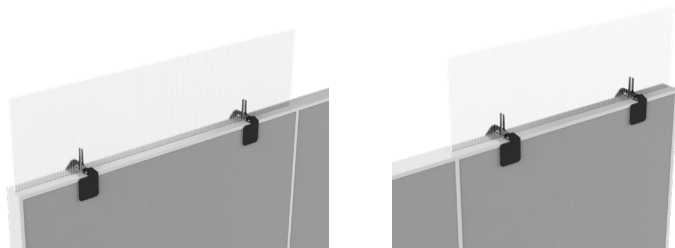


# ARMORBOSS™

## Cubicle Sneeze Guard



### Installation Instructions and Maintenance Manual



**Models:**

ABO-3612  
ABO-4812

### Contact Information

**Mail**

PS Public Protection  
1150 South 48th Street  
Grand Forks, ND 58201

**Local Phone**

701.746.4519

**Website**

pspublicprotection.com

**Hours of Operation**

8 A.M. to 5 P.M. CT  
Monday – Friday

**Toll Free Phone**

877.446.1519

**Email**

4psinfo@psindustries.com

**IMPORTANT!** Read entire Manual to become familiar with the product.

**NOTICE** Secure product in windy areas to prevent tip over.

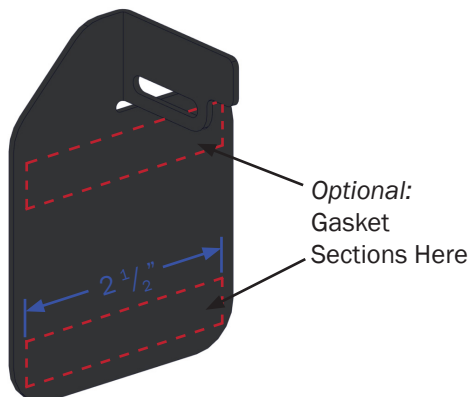
### Product Information

**Step 1  
Illustration I**

**NOTICE**

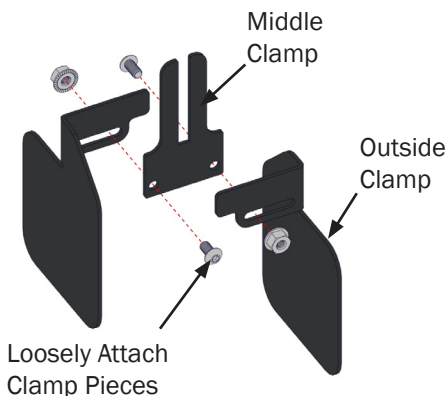
Do not apply if used behind Overhead Bins.

Cut Rubber Gasket 2 1/2" sections. Attach to correct side of Clamp as shown. Two (2) Gasket sections per Clamp piece.



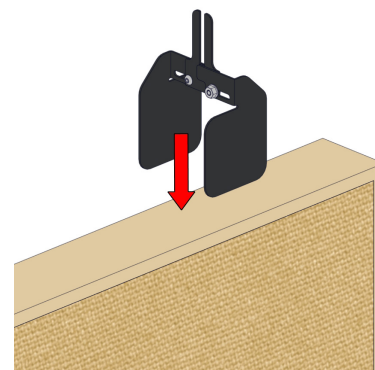
**Step 2  
Illustration I**

Use Bolt and Nut to loosely attach Outer Clamp pieces to Middle Clamp Piece. Bolts are oriented opposing through Middle Piece.



**Step 3  
Illustration I**

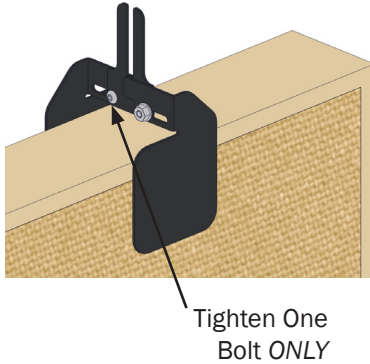
Place loose Clamp assemblies on Cubicle Wall.



## Product Information

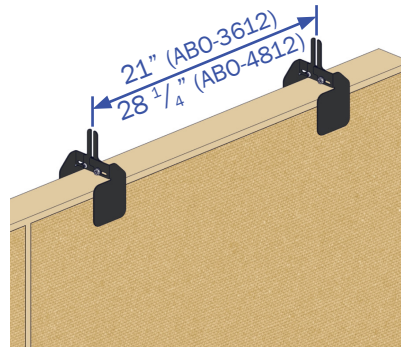
### Step 4 Illustration I

Tighten one Bolt **ONLY** on each Clamp with  $\frac{1}{8}$ " Allen Wrench.



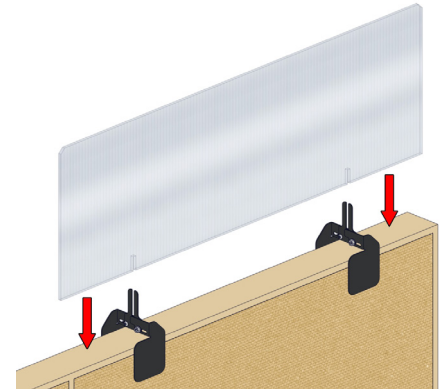
### Step 5 Illustration I

Measure and move Clamp Assemblies on Cubicle Wall.



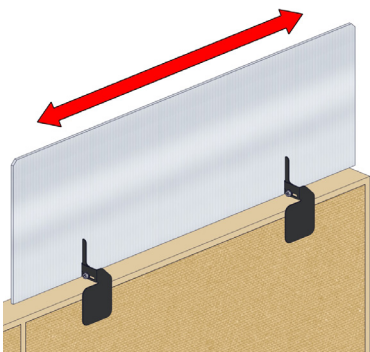
### Step 6 Illustration I

Remove Film from Sneeze Guard. Place the Shield in Clamp Forks.



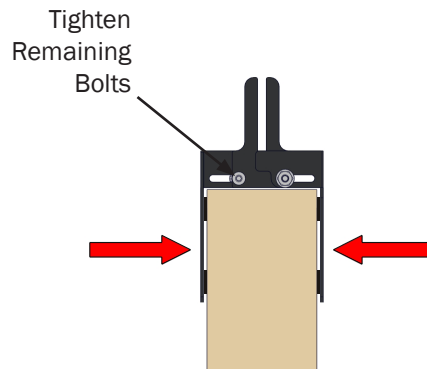
### Step 7 Illustration I

Position the Sneeze Guard Square up the Clamps to the Cubicle Wall. Remove Sneeze Guard and set aside.



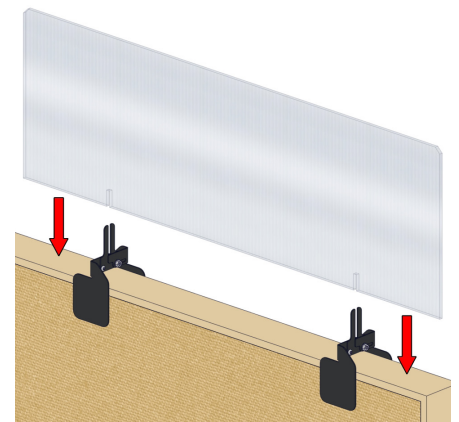
### Step 8 Illustration I

Manually squeeze Clamps together. Tighten the remaining Bolts with  $\frac{1}{8}$ " Allen Wrench.



### Step 9 Illustration I

Replace Sneeze Guard on Clamps.



#### A. Cubicle Sneeze Guard Assembly:

1. Inspect components for damage and misalignment. Adjust, repair, or replace as needed.

#### B. Cleaning Precautions:

1. To ensure your product continues to protect and last, complete the following:
  - a. Gently clean all surfaces with a non-ammonia based cleaner and a clean/damp microfiber towel.
  - b. Do **NOT** scrub as acrylic can be scratched.
  - c. Never use scouring compounds or any type of chemical cleaner.

**NEW**



Personal Protection



Easy To Assemble



Versatility

# ARMORBOSS™

CARRY ON THE CONVERSATION WHILE LIMITING THE EXCHANGE OF GERMS

Description	Product Number	Overall WxH	Passthrough WxH	Material	Cost Per Unit
Bus Sneeze Guard	ABB-TYPE A	23.5" x 31.5"		Acrylic	\$315.00
Bus Sneeze Guard	ABB-TYPE C	23.5" x 31.5"		Acrylic	\$350.00
Countertop Sneeze Guard	ABC-2432	23.5" x 31.5"	11.5" x 10.5"	Acrylic	\$115.00
Countertop Sneeze Guard	ABC-3632	35.5" x 31.5"	23.5" x 10.5"	Acrylic	\$155.00
Countertop Sneeze Guard	ABC-4832	47.5" x 31.5"	35.5" x 10.5"	Acrylic	\$170.00
*Counter Stand Sneeze Guard	ABR-2420	24" x 20.5"		Acrylic	\$270.00
Linear Table Sneeze Guard	ABT-3224	31.5" x 23.5"	20.5" x 4.25"	Acrylic	\$115.00
Linear Table Sneeze Guard	ABT-4824	47.5" x 23.5"	20.5" x 4.25"	Acrylic	\$150.00
X-Shape Table Sneeze Guard	ABX-4824	47.5" x 23.5"		Acrylic	\$205.00
Floor Stand Sneeze Guard	ABF-2424	24" x 24"		Acrylic	\$380.00
Cubicle Sneeze Guard	ABO-3612	36" x 12"		Corrugated Acrylic	\$99.00
Cubicle Sneeze Guard	ABO-4812	48" x 12"		Corrugated Acrylic	\$109.00

\*The Counter Stand Sneeze Guard comes with one sneeze guard and two bases so you can set it on the counter or mount it to it.

Custom applications are available, please call for more information.



701.746.4519 | 877.446.1519 | [www.pspublicprotection.com](http://www.pspublicprotection.com) | [4psinfo@psindustries.com](mailto:4psinfo@psindustries.com)

Rev012121



**877.446.1519**

**4psinfo@psindustries.com | [pspublicprotection.com](http://pspublicprotection.com)**

**1150 South 48th Street | Grand Forks, ND 58201**

**Product Registration:**

**[psindustries.com/contact/register-your-product](http://psindustries.com/contact/register-your-product)**